



**SECURITY MIRROR
INDUSTRIES LIMITED**

ADJUSTABLE TILT
STAINLESS STEEL CHANNEL FRAMED MIRROR

SERIES 850

ADJUSTABLE
TILT

CHANNEL FRAME

One piece frame formed of 3/8" (9.53mm) X 1/2" (12.7mm) X 3/8" (9.53mm) type T430 BA stainless steel. Frame has square, tightly mitered corners, with unique concealed screw fixings to ensure easy field mirror replacement. Plastic protective coating placed on frame.

MIRROR

No.1 selected polished 5 mm float glass with chemically deposited silver, electrolytically copper plated followed by a heavy coating of tough elastic paint. Mirrors conforming to GSB 12-GD5A Type B and guaranteed against silver spoilage for a period of ten years.

STOCK SIZES *

| Width | Height |
|-------------|-------------|
| 16" (406mm) | 24" (609mm) |
| 16" (406mm) | 30" (761mm) |
| 18" (457mm) | 24" (609mm) |
| 18" (457mm) | 30" (761mm) |
| 18" (457mm) | 36" (914mm) |
| 24" (609mm) | 30" (761mm) |
| 24" (609mm) | 36" (914mm) |

* Custom Sizes Available

Weight: 4 lbs / sq. ft (NOT BOXED)

GLAZING OPTIONS

- Acrylic Mirror
- Tempered Mirror
- Laminated Mirror
- Stainless Steel Mirror
- 6mm Mirror



*BACK

A stainless steel shelf, 5" (127mm) deep is available for separate mounting below all mirrors.



**SECURITY MIRROR
INDUSTRIES LIMITED**

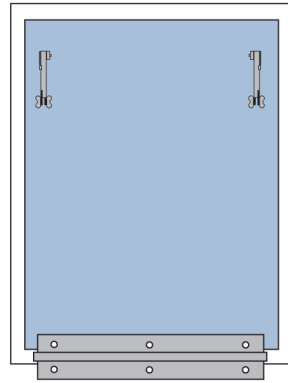
ADJUSTABLE TILT
STAINLESS STEEL CHANNEL FRAMED MIRROR

SERIES 850

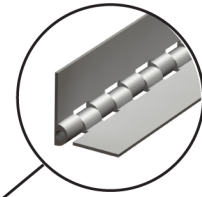
ADJUSTABLE
TILT

FEATURES

Mirror is protected with a 3/16" (4.76mm) non moisture absorbent shock resistant primary back. This material will not absorb or retain moisture and cushions the mirror by absorbing shocks. The secondary back is of 0.37" (.94mm) satin coat steel.

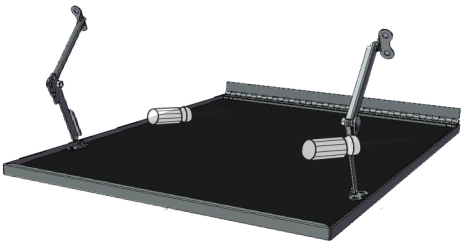


Adjustable arms have 'right' or 'left' stamped on them. Mount them so that the elbow nut points in.

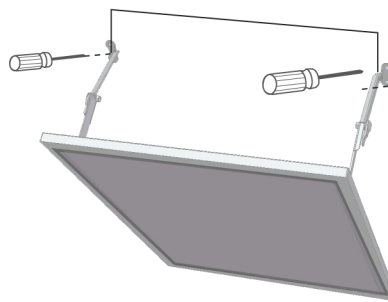


Piano Hinge

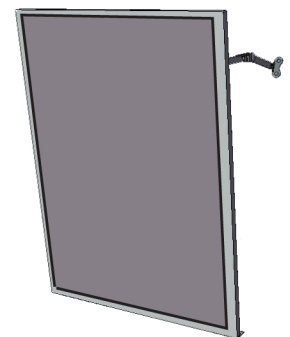
INSTRUCTIONS



1. Drill hole through piano hinge and wall. Put plugs in wall and mount mirror. Turn mirror upright and mark. Do the same with 2nd hole; mark on wall then drill and plug.



2. Take distance from top of mirror to centre of hole (top). Do the same with 2nd hole mark on wall, drill and plug. Mark on wall, drill and plug.



3. Take adjustable piano hinge apart at elbow and mount to wall. Stand mirror up and re-assemble elbow.